

# Mod. 970 BT



# Mod. 970 BT

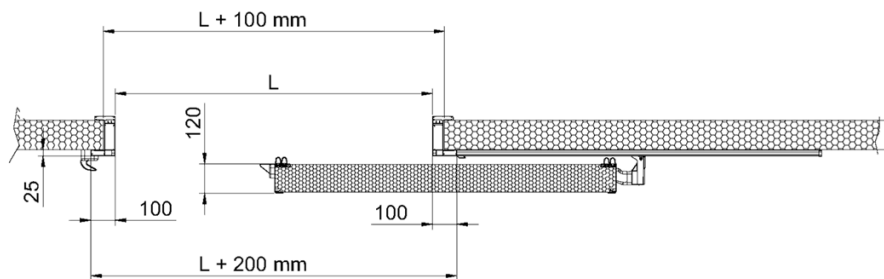
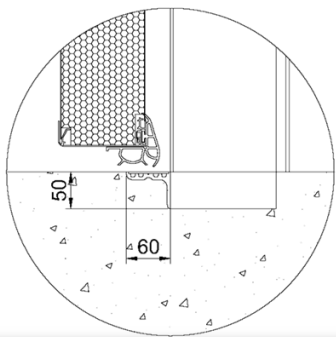
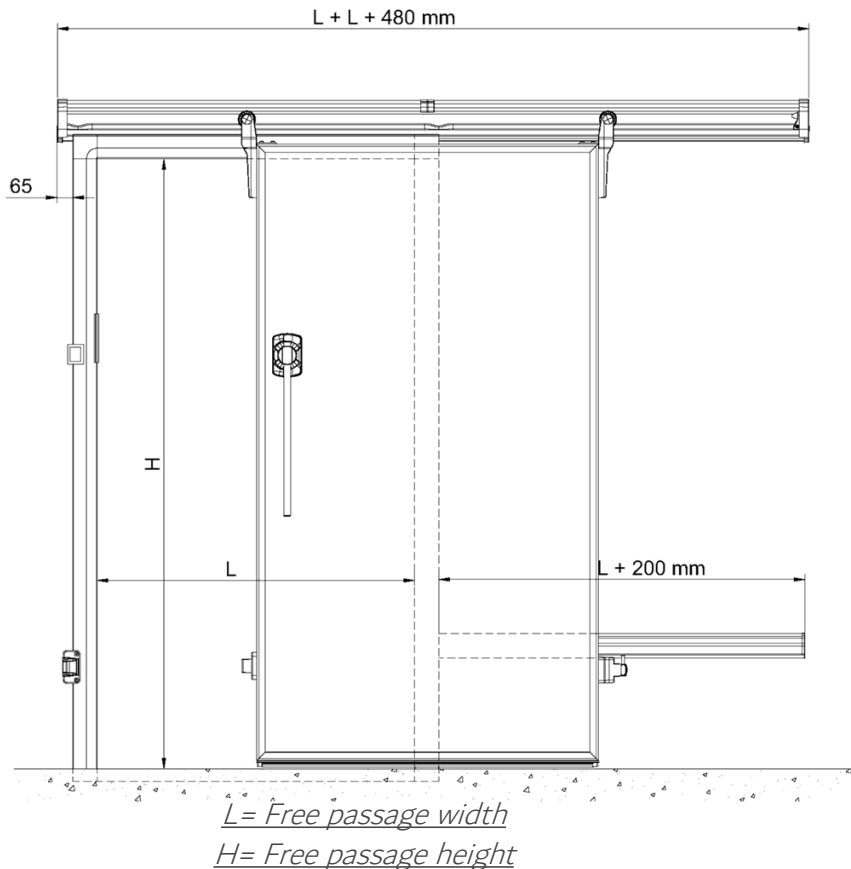
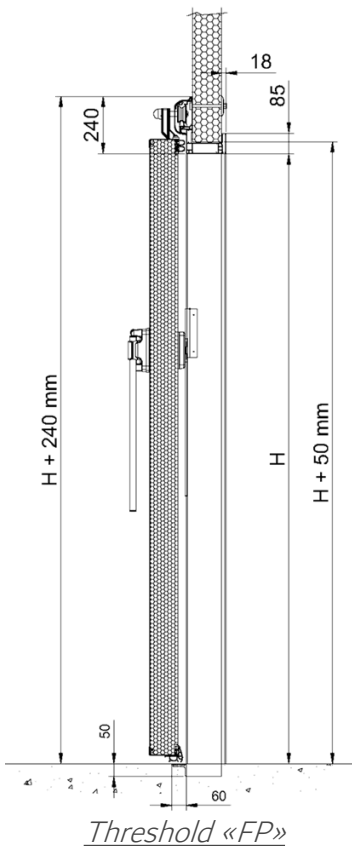


U=1,0 W/m<sup>2</sup> \* K tested by:



ISTITUTO  
GIORDANO  
Qualità al Plurale.

# Mod. 970 BT



## TECHNICAL FEATURES

- 90mm or 120 mm thick aluminum door leaf
- Internal and external coating in white plasticated metalsheet Similar Ral 9003
- Lower and perimetral EPDM gasket
- “L” shape PVC frame (mm 100x25) with additional modules to reach the thickness of the panel. PVC counterframe for wall installation
- Door leaf injected with polyurethane foam “PUR” CFC free
- Heating cable apply into the frame or into the gasket