

Mod. 971 BT



Mod. 971 BT

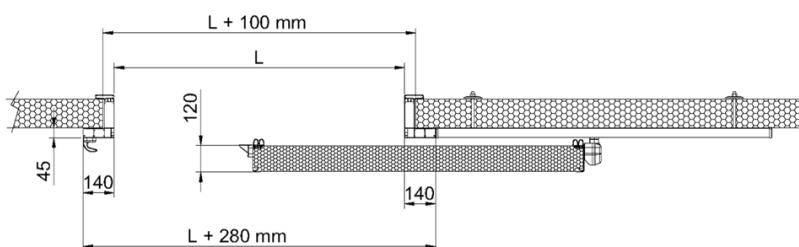
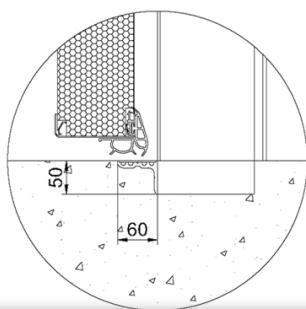
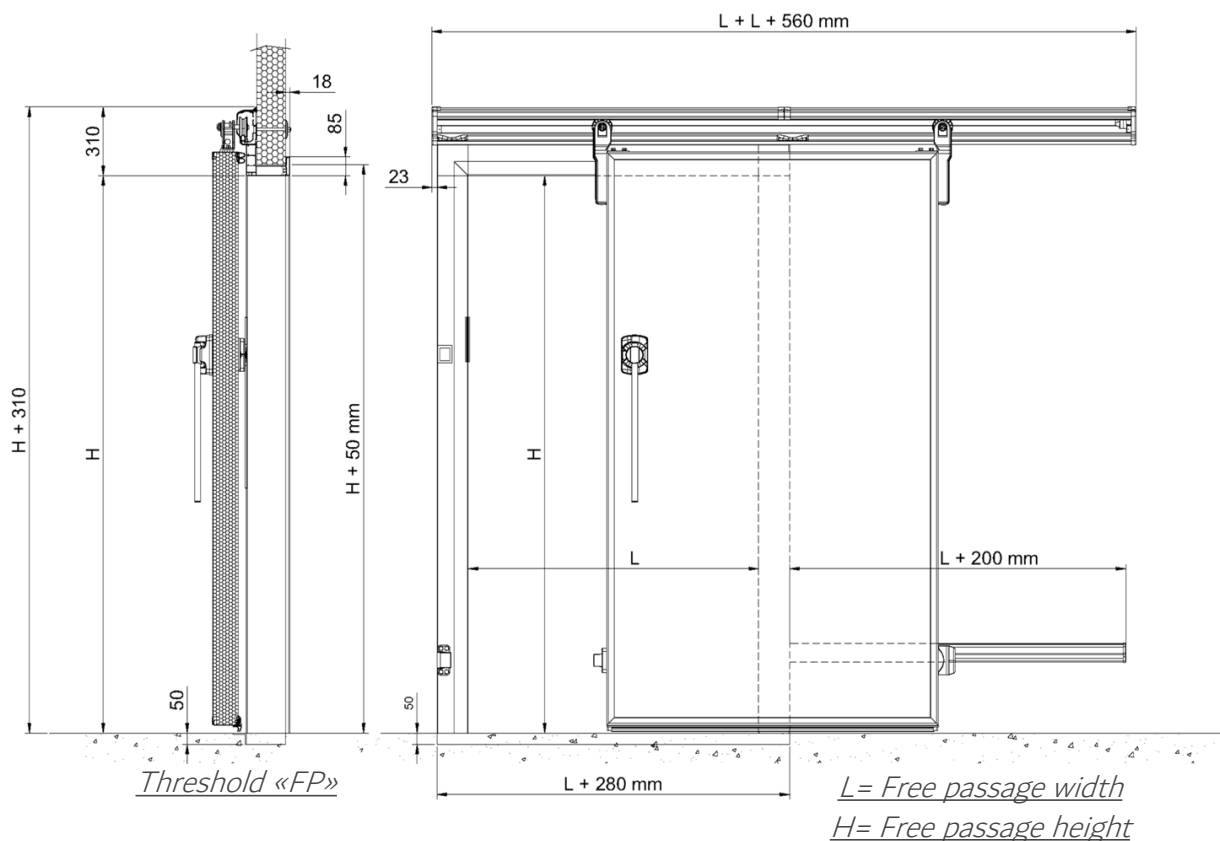


U=1,0 W/m² * K tested by:



ISTITUTO
GIORDANO
Qualità al Plurale.

Mod. 971 BT



TECHNICAL FEATURES

- 90mm or 120 mm thick aluminum door leaf
- Internal and external coating in white plasticated metalsheet Similar Ral 9003
- Lower and perimetral EPDM gasket
- “L” shape PVC frame (mm 140x45) with semi-recessed frame stop and additional modules to reach the thickness of the panel. PVC counterframe for wall installation
- Door leaf injected with polyurethane foam “PUR” CFC free
- Heating cable apply into the frame or into the gasket