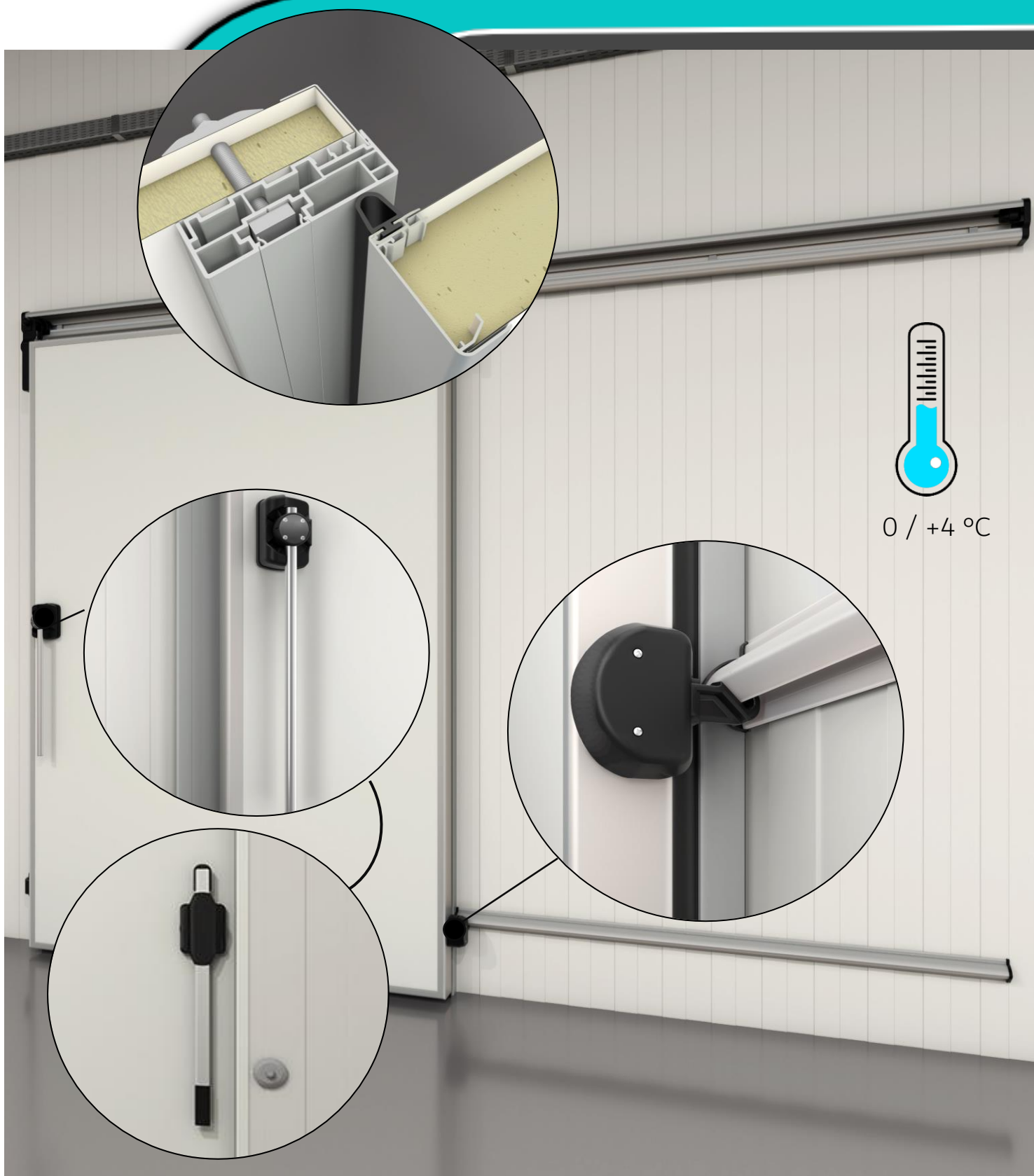


Mod. 890 M



Mod. 890 M

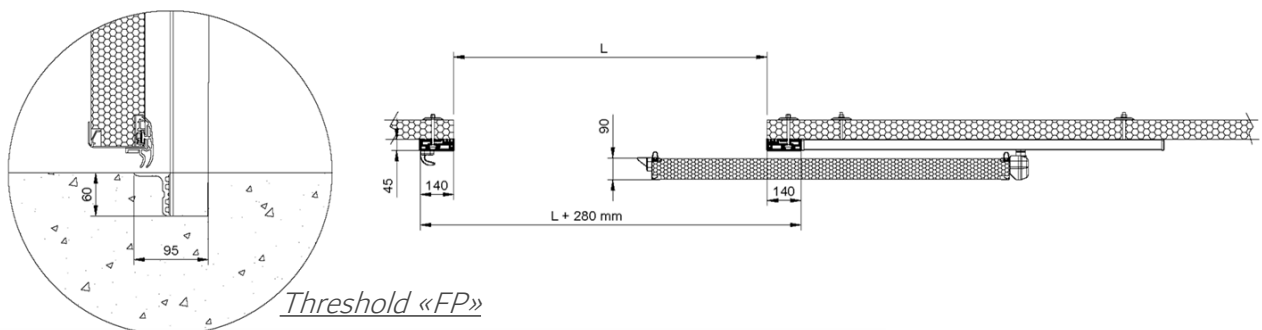
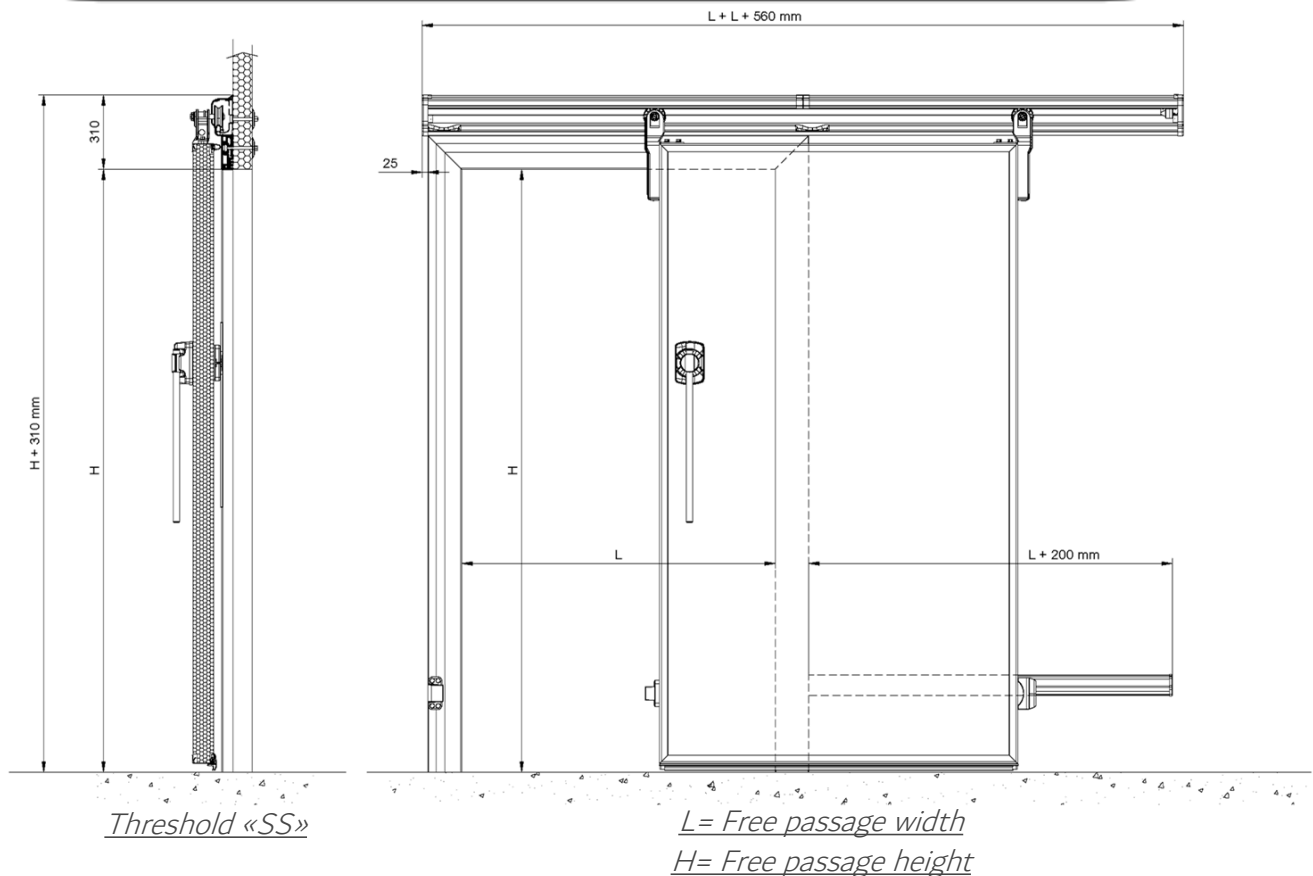


U=1,1 W/m² * K tested by:



ISTITUTO
GIORDANO
Qualità al Plurale.

Mod. 890 M



TECHNICAL FEATURES

- 90mm thick aluminum door leaf
- Internal and external coating in white plastic coated metalsheet Similar Ral 9003
- Lower and perimetral EPDM gasket
- Front fixing PVC flat frame (mm 140) (optional with connecting sheet)
- Door leaf injected with polyurethane foam "PUR" CFC free