

Mod. 979 M



Mod. 979 M

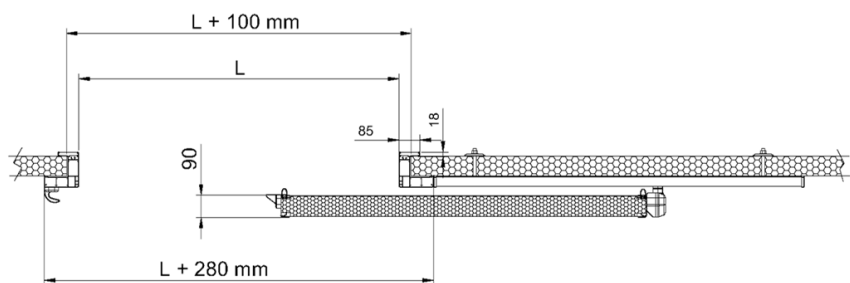
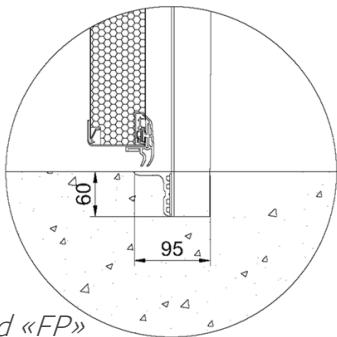
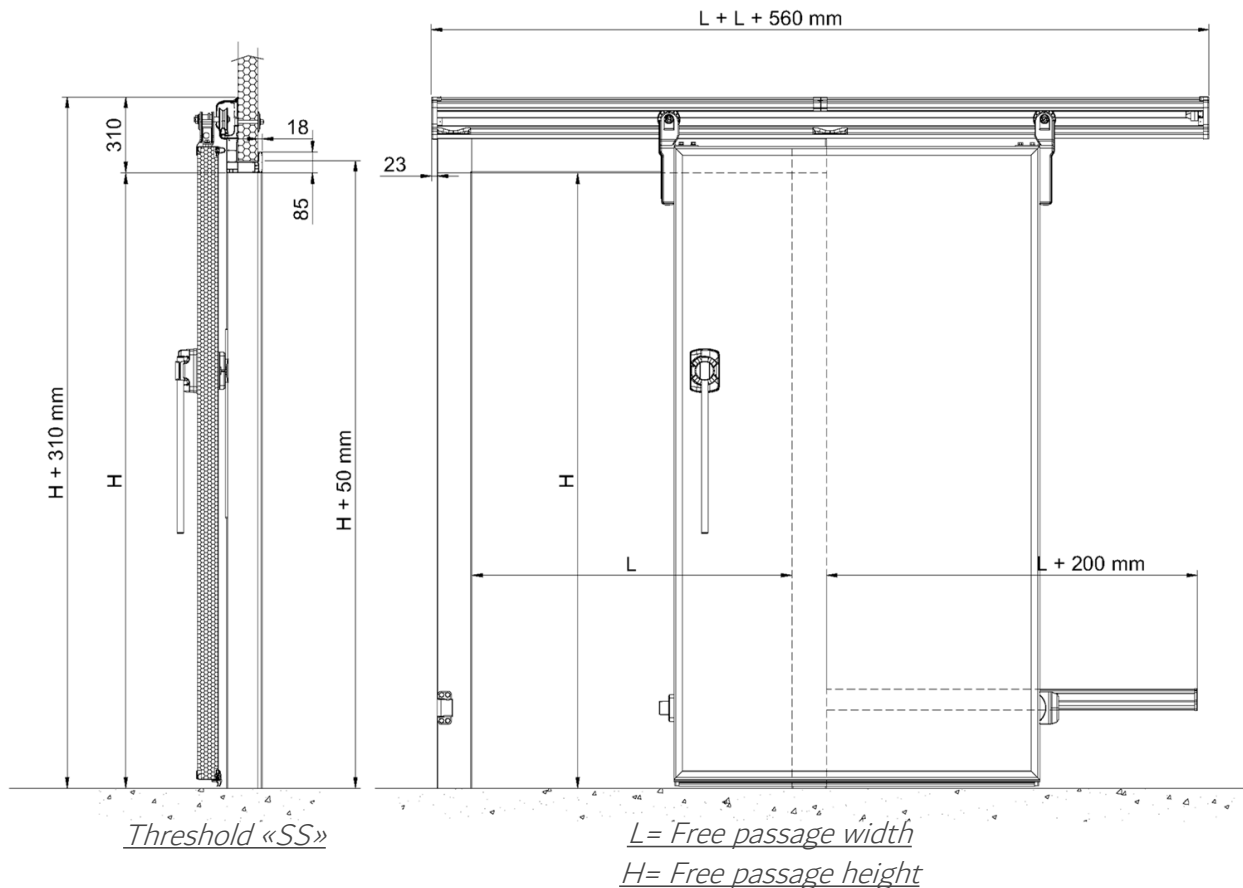


U=1,2 W/m² * K tested by:



ISTITUTO
GIORDANO
Qualità al Plurale.

Mod. 979 M



TECHNICAL FEATURES

- 90mm thick aluminum door leaf
- Internal and external coating in white plasticated metalsheet Similar Ral 9003
- Lower and perimetral EPDM gasket
- “L” shape PVC frame (mm 140) with additional modules to reach the thickness of the panel. PVC counterframe for wall installation
- Door leaf injected with polyurethane foam “PUR” CFC free